

Shelf Height

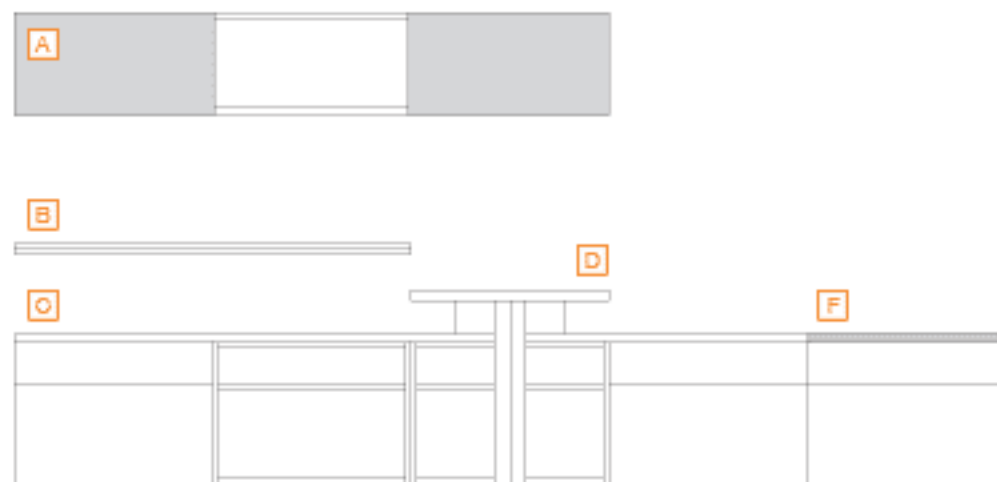
55 High



- A** Wall Hung Book Shelf
- B** Wall Hung Personal Shelf
- C** 23" High Pedestals
- D** Overlay Runoff Peninsula

Overhead Height

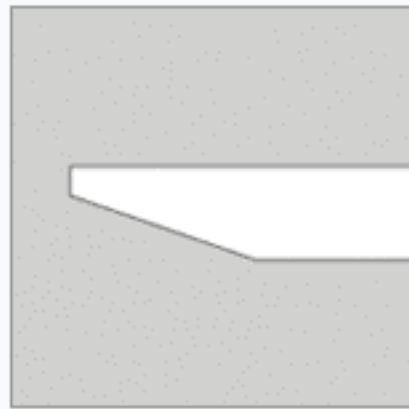
72 High



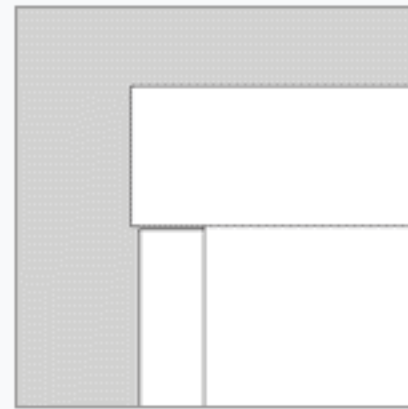
- A** Wall Hung Overhead Cabinet
- B** Wall Hung Personal Shelf
- C** 23" High Pedestals
- D** Overlay Runoff Peninsula
- F** Pedestal Cushion

Edges

E27 Reveal Knife Edge
1.5" Thick
Available on Overlay Runoffs Only

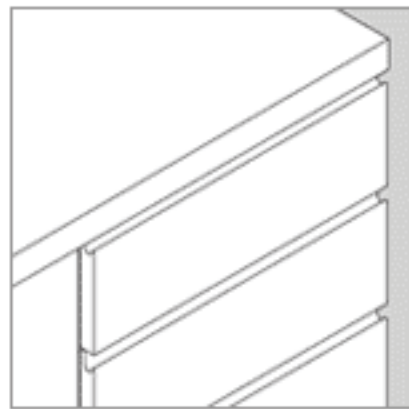


E23 Square Edge
1.25" Thick on Top Surfaces Only
1.5" Thick on Overlay Runoffs Only



Pulls

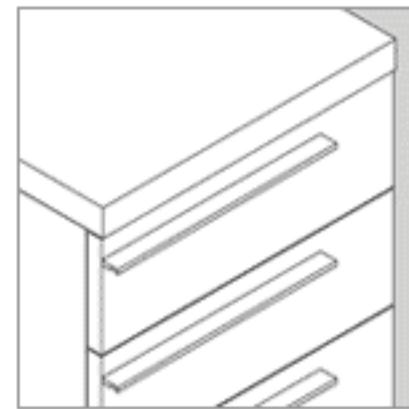
DX WP Pull
Continuous Along Top of
Door/Drawer Face



DX RP Pull
Length Varies
Scaled to Door/Drawer Face



DX FP Pull
Length Varies
LH & RH Orientation Available

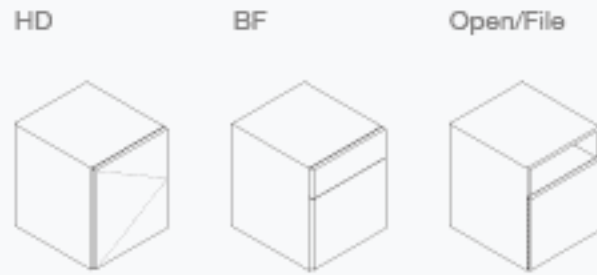


DX BP Pull
Single on 19" w/ Pedestals
Double on 30/36" w/ Pedestals



Pedestals

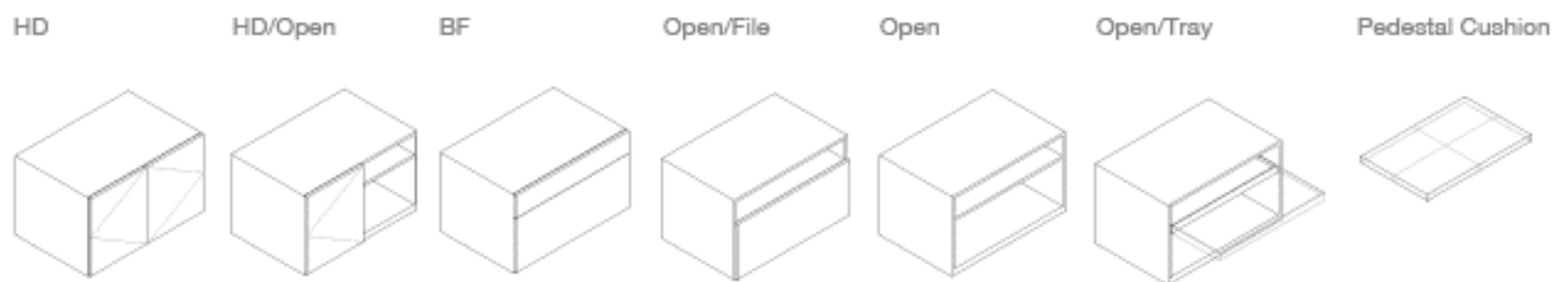
18" Width
20 & 24" Depth
23" Overall Height



Pedestals

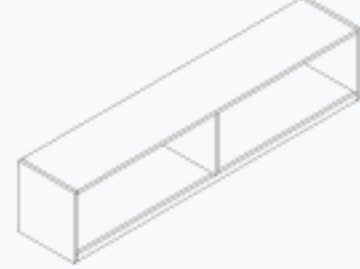
30 & 36" Widths
20 & 24" Depth

23" Overall Height
with Top Surface

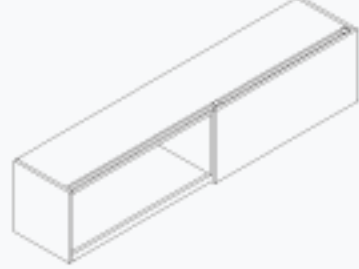


Wall Based Storage

Open
72" H Planning



Sliding Panel
72" H Planning



Book Shelf
55" H Planning

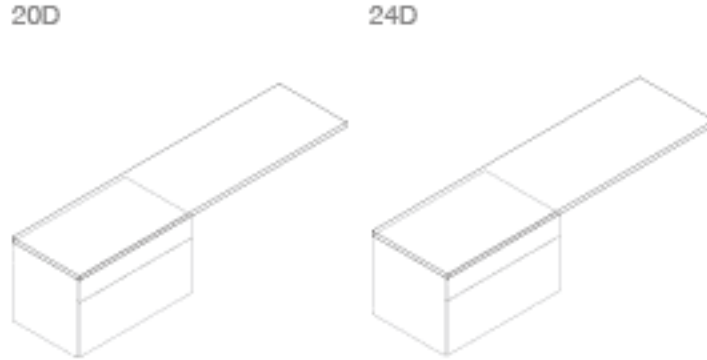


Personal Shelf
55" H Planning



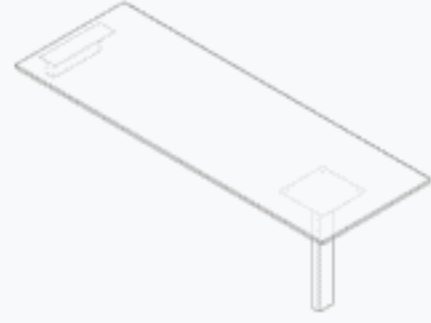
Top Surfaces

1.25" Thick
Supported by Pedestals
23" Overall Height

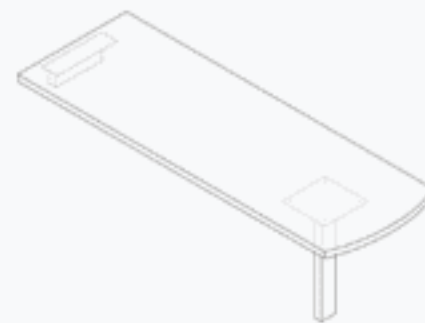


Overlay Work Surfaces

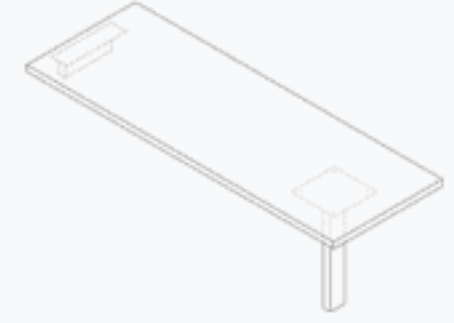
Rectangular Overlay
Square Edge 23
Supported by Panels or Legs



Bow End Rectangular Overlay
Square Edge 23
Supported by Panels or Legs Only

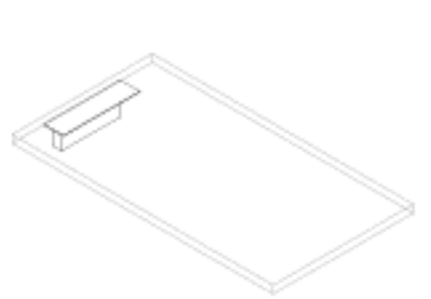


Rectangular Overlay
Knife Edge 25
Supported by Legs Only

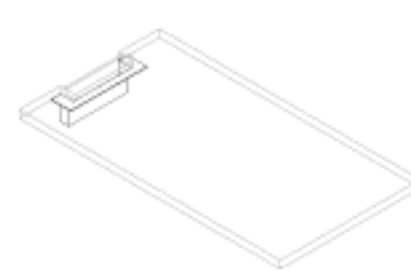


Overlay Stand-Off Supports

Slab
Standard Non-Access

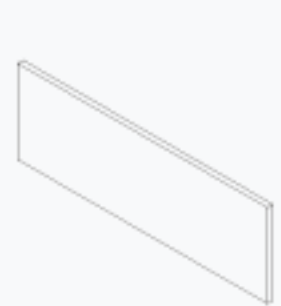


Slab
Cable Management Access



Common Parts

Fabric Wrapped Tack Panel



Magnetic Tack Panel



Desktop Paper Manager



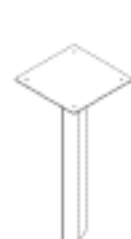
Common Parts

Overlay Supports: Legs

Rectangular Leg



Diamond Leg



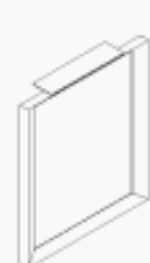
Round Leg



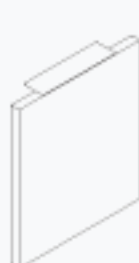
Common Parts

Overlay Supports: Panels
Personal Storage
Modesty Panel

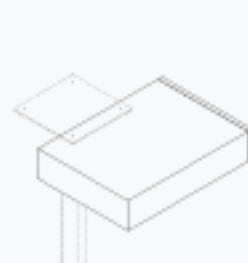
Diamond Frame



Wood Panel



Personal Box Drawer



Partial HT. Modesty Panel

